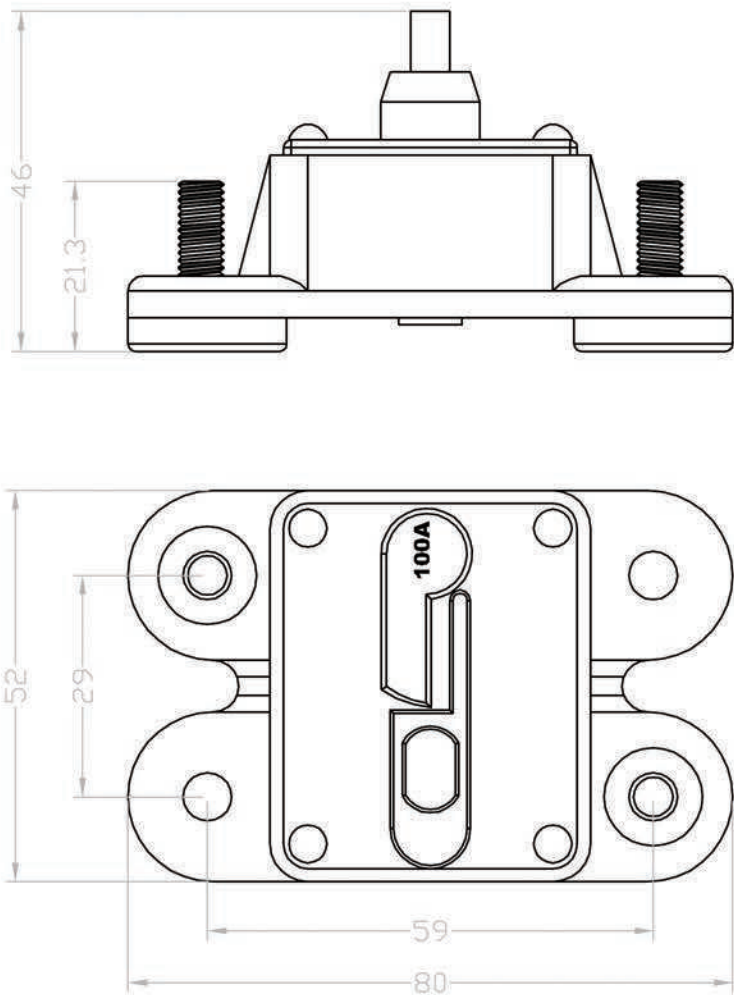


Circuit Breaker

Technical Parameters:

1. Rated current: 60A 80A 100A 120A 150A 200A 250A 300A
2. Rated voltage: 32VDC
3. Material: Alloy material, good electrical conductivity, high production technology, high temperature and pressure resistance.
4. Size: 80x52x46mm



				客户型号		备注: 1. 不得测量图纸尺寸; 2. 未注公差参照GB1804-M级; 3. 单位为mm; 4. 带"*"为检查尺寸;带"()"为参考尺寸。
				产品型号	TCB-02	
				产品名称	自恢复保险丝座	
				材料		
标记	数量	更改简述	日期			绘图/日期 廖振海/20160802

一、Installation instructions

In the car audio or large car with electrical appliances circuit, the most convenient and safe is it! When the circuit is broken, there is no need to take time to remove it and install the fuse. Just press on or off.

二、Usage

- 1) connect wiring IN(BAT) and OUT(AUX).
- 2) press the oval button, the long handle will be flipped open, and the circuit breaker will be cut off. (please press the oval button. If the power of the long handle is cut off by hand, the circuit breaker will be damaged. There is no warranty.)
- 3) after the long handle is reset, the circuit breaker is energized.

三. Application

Widely used in the automotive industry denso, capstan, dc power supply appliances, electric vehicles, chargers, motors and other electrical products for overcurrent protection.

四. Function

Prevent excessive current, protect electric appliance.